



Getinge La Calhène  
 1 rue du Comté de Donegal  
 F-41102 Vendôme cedex, France  
 Phone: +33 (0) 254 734 747  
 marketing-contact.glc@getinge.com  
 www.lacalhene.com

LaCalhène is an equipment manufacturer specialized in material to protect human beings in a hostile environment, protect a product against the surrounding environment, and protect the environment from hazardous products. Its customer base is half in the nuclear field and half in the pharmaceutical field.

In the nuclear sector LaCalhène supplies 4 product lines: remote manipulators, transfer systems (the DPTE® range, standard and special applications), glove box ports, and shielded casks for transfer / transport. LaCalhène supplies to 5 market segments: nuclear fuel manufacture, spent fuel recycling, radiopharmacy, laboratory / universities / units of research, and dismantling / decommissioning / sanitization.

On the basis of its long experience in the nuclear sector, Getinge La Calhène developed a set of solutions and equipment for the pharmaceutical industry, in particular for isolators and sterile transfer systems (DPTE® and DPTE-BetaBag®).

La Calhène is an active member of:



Getinge La Calhène - Transfer and Transport Systems - EN - FP.440 - 002 - Jan 2021 - © photos: Getinge La Calhène - Creation www.thinkadcom.com  
 Non contractuel Document - Getinge La Calhène reserves the right to modify the products described in this document without notice.

## Transport and transfer casks

Shielded leaktight containers for safe transfer and transport





# Shielded containers for transporting highly contaminated and radio-active materials inside a site and on public roads

LaCalhene offers a range of unique packaging solutions based on the DPTE® leaktight transfer system.

The transport packaging consists of a shielded container, a DPTE® container and a transport carrier, as well as a wide range of accessories for handling the casks in complete safety.

**Our packaging systems offer safe transfer on site and (for some systems) on public roads in conformity with IAEA (International Atomic Energy Agency) regulations.**

# AEB and MINI-PADIRAC, two casks for transfer and transport on site

**AEB - A cask that can be immersed in a pool and docked onto a cell**



AEB is designed for a DPTE® 105 mm diameter connection. Its shielding can be adapted to requirements (150, 200 and 250 mm thick lead); likewise, its length is variable as needed. AEB by LaCalhene is primarily used for nuclear medicine applications, for transport inside a facility.

**MINI-PADIRAC - A cask for transferring and shipping moderately radio-active materials**



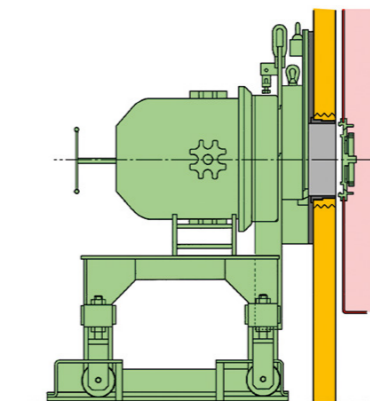
The MINI-PADIRAC, is used for applications similar to those of the PADIRAC since it holds the same leaktight container, but its lighter shield (25 mm thick lead) makes it suitable for less radio-active products. Containment during transfers is provided by a DPTE® 270 container. The MINI-PADIRAC is used to extract low activity waste (alpha, beta, gamma), bring a new item inside the cell and/or for transferring equipment between two cells.

# PADIRAC and AGNES, two casks for transfer and transport on public roads

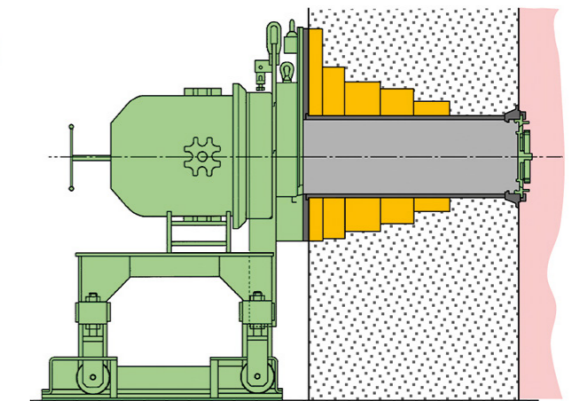
**The PADIRAC(\*) - A robust, safe transfer solution**



Shielded container with transport cover



PADIRAC docked onto a lead wall (DPTE® alpha type mounting)



PADIRAC docked onto a concrete wall (DPTE® gamma type mounting)

The PADIRAC is designed to transfer and transport radio-active materials (alpha, beta and gamma emissions) while providing protection against irradiation and maintaining containment. The PADIRAC meets international standards for shipment on a public road, when encased inside its transport shell.

A complete range of accessories is available for this cask: lifting fork, transport cover, transport shell, cask stand, supporting table, shielded sliding door, actuating rod.

The PADIRAC is available in lead thicknesses of 100, 150 and 200 millimetres according to application. The shielded cell door is available with biological protection 50, 100, 200, 250 or 300 millimetres thick.

The cask holds a 20 litre DPTE® 270 container, made of stainless steel or polyethylene depending on the application.

(\*) PADIRAC "Permet d'Absorber des Déchets IRrAdiants et Contaminés" (Absorbs Radio-Active Contaminated Waste)

**AGNES - A solution for shipping on public roads, with flexible loading methods**



Like the PADIRAC, the AGNES system provides biological protection. It contains a cluster holder basket which can be interfaced with a DPTE® 105 in a single piece of equipment.

AGNES provides operator and environmental security, fast loading and unloading and is certified for transport on public roads (Type B Certificate).

AGNES can be loaded in direct connection on a DPTE® double door as well as in a liquid environment (pool or reactor).

